



Quantometer Delta QD

Volumetric Gas Meter

Delta QD meters are volumetric meters. The flow of gas moves the pistons and each rotation traps and transfers a specific volume of gas. The movement is mechanically transmitted to the totaliser.

APPLICATIONS

Delta QD are designed to measure natural gas and various filtered and non-corrosive gases as well as compressed air.

Due to the volumetric principle of the Delta QD, its metrology is not influenced by installation conditions.

Consequently, it can be used to build very compact stations without installing a straight pipe inlet before the meter.

They have been especially designed for industrial use and for secondary measurement and are particularly adapted when the flow can be low or irregular.

Technical Specifications

Flow range	QD25	0.8 to 25 m ³ /h
	QD60	2 to 60 m ³ /h
Accuracy	< +/-1,5% on the complete flow range	
Starting Flow	QD25	< 0.035 m ³ /h
	QD60	< 0.035 m ³ /h
Maximum Operating Pressure	16 bar	
Temperature Range	Gas and ambient temperature: -30°C to +60°C	
Storing Temperature	-40°C to +70°C	
Pressure Loss at Maximum Flow (with gas: $\rho = 0.83\text{Kg/m}^3$)	QD25	0.8 mbar
	QD60	4.1 mbar
Connections	Internal thread DN40 1"½ ISO 228	
Pressure Tappings	4 tappings ¼" NPT at the inlet and outlet of the meter.	
Low Frequency Transmitter	Double low frequency transmitter type reed switch connected to a socket 6 pins following DIN45322.	
Pulse Value	0.01 m ³ /pulse.	

Options and accessories

Cyble Sensor	Type ATEX or M-Bus
High Frequency Transmitter	Inductive type following EN 60947-5-6
Thermowell	Internal diameter 6.5 mm for an easy installation of a temperature probe.

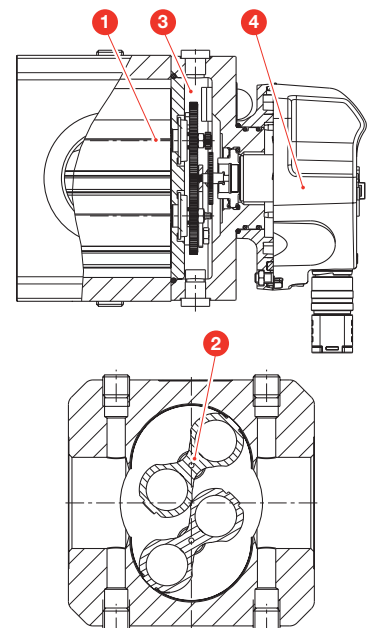
KEY BENEFITS

- » High accuracy and rangeability budget meter
- » Very low pressure loss
- » No influence of installation conditions nor stop-and-go flow rate on the accuracy
- » Protection class IP67
- » 9-digit mechanical totaliser
- » Various options available: Cyble Sensor, high frequency transmitter, thermowell, etc

DESCRIPTION

A Delta QD is made up of four main parts:


- 1 A measuring chamber
- 2 2 pistons, which are synchronised by 2 gears and which rotate in opposite directions
- 3 1 lubricant cover
- 4 A totaliser to register the counted gas



Characteristics

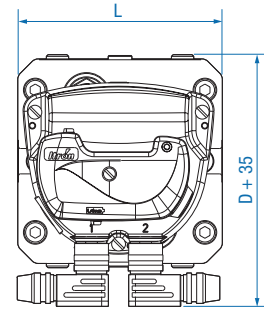
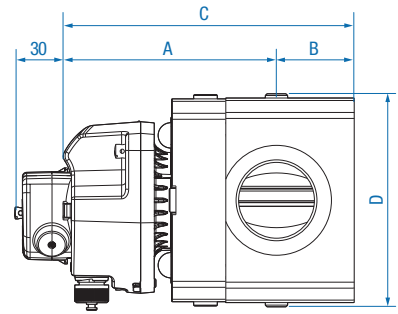
Model	Freq max LF (Hz)	1 pulse HF (dm ³ /pulse)	Freq max HF (Hz)	Weight (Kg)	A (mm)	B (mm)	C (mm)	D (mm)	L (mm)
QD25	0.69	0.218	31.8	4	126	46	172	126	121
QD60	1.67	0.218	76.4	4	126	46	172	126	121

Compliance with European Directives

- » Pressure Equipment Directive 97/23/EC
- » ATEX Directive 94/9/EC (Intrinsic safety level:  II 1/2 G Ex ia IIC T5 c T6)

Design

- » Housing: Aluminium hard anodised.
- » Pistons: Aluminium hard anodised; dynamically balanced.
- » Ball bearings: stainless steel.



Quantometer QD60, Qmax: 60m³/h equipped with Cyble Sensor ATEX

Installation

Please refer to the instruction manual supplied with the meter. The advice given therein will ensure optimal use of the Delta QD over the years.



Our company is the world's leading provider of smart metering, data collection and utility software systems, with over 8,000 utilities worldwide relying on our technology to optimize the delivery and use of energy and water.

To realize your smarter energy and water future, start here: www.itron.com

For more information, contact your local sales representative or agency:

ITRON GmbH

Hardeckstraße 2
D-76185 Karlsruhe
Germany

Phone: +49-721 5981 0

Fax: +49-721 5981 189