



Gallus iv PSC

Gas Smart Payment Meter

A member of the Eclipse family, the Gallus iv PSC is the latest Smart Card Smart Payment meter in Itron's Revenue Collection Systems. The Gallus iv PSC with an internal valve is considered an ideal entry point into the automatic meter reading world.

KEY BENEFITS

- » Self-billing meter
- » Pre or Post-Payment billing mode
- » 2-way communication
- » Electronic Temperature Compensation (optional)
- » Internal valve
- » Field swappable battery
- » Multiple fraud detection

THE SYSTEM

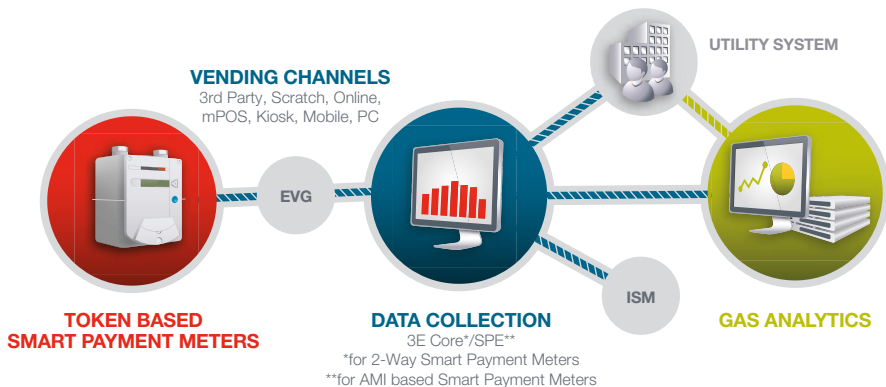
The Gallus iv PSC meter features the Gallus meter, which has been installed in more than 30 million locations worldwide. It has been enhanced with a secure Payflex Smart Card token.

The microprocessor-based Smart Card provides low-cost, reliable and secure two-way communication between the point of sale (ATM, PC, self-service POS) and the installed meter.

The revenue collection module offers innovative and customer appealing functions, such as no-disconnect periods, self-decommissioning, emergency credit and data logging capability. It also provides leak and fraud detection, overflow control and broad tariff flexibility.

The Gallus iv PSC is part of the Eclipse Enterprise Edition multi-resource revenue collection system. This system provides efficient revenue collection, and enhanced data capture and reporting, for both electricity and gas utilities.

SOLUTION ARCHITECTURE



ELECTRONIC TEMPERATURE COMPENSATION (OPTIONAL)

The temperature converted volume shown on the electronic index allows to bill the consumer more accurately.

STANDARDS & COMPLIANCE

The meter is compliant with the following directives, standards and norms:

- » MID approved
- » EN 1359 and OIML standards
- » ISO 9001 certified
- » ATEX approved

DATA LOGGING & CONFIGURATION

- » **Data Logging:** The meter has a built-in data logging function that can store up to the 720 index values 24 times a day for a 30 day long period. A log keeps track of the last 60 events, alarms and actions.
- » **No Disconnect:** The meter can be configured to avoid disconnection during specified periods. This can include defined times of day, certain days, weekends, or specific periods of the year.
- » **Self Decommissioning:** An automatic "close down" special action lets the utility or consumer decommission the account directly. No on-site visit from the utility is required.

BILLING METHODS


Itron's Smart Payment solution allows **automated data collection** at the time the consumer is topping up its energy credit. In accordance with the local regulations, the meter can be set in different billing modes:

- » **Regular Prepayment:**
By loading the Smart Card upfront, the consumer has to pay his gas provision before consuming.
- » **Pay-as-you-go:**
In this typical post payment mode, the end customer is charged for the consumed gas after a certain period based on volume or time.

SAFETY AND SECURITY

- » Metrological and functional parts of the meter protected with separate seals.
- » **Leak detection:** A leak test is conducted every time the gas valve opens to ensure other gas appliances have not been left on. The valve automatically closes if the installation is not tight.
- » **Alarms (valve closes automatically):**
 - Open cover alarm
 - Overflow alarm
 - Backflow alarm
 - Battery low (threshold configurable)
 - Secure Payflex Smart Card token

Technical Specifications

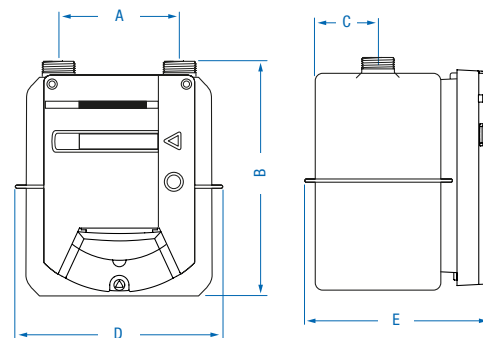
Parameter	Value
Gas type	Natural gas, air, propane, butane, nitrogen and all non-corrosive gases
Cyclic Volume	1.2 dm ³
Measuring Range	G2.5 Qmin 0.025 m ³ /h Qmax 4 m ³ /h G4 Qmin 0.04 m ³ /h Qmax 6 m ³ /h
Accuracy	Class 1.5
Standards / Directives	Directive 2004/22/EC (MID), Directive 94/9/CE (ATEX), Directive 2004/108/EC (EMC); Conformity with EN1359:1998-A1:2006
Maximum operating pressure	0.5 bar (0.1 bar for HTL version) Valve operation up to 0.15 bar
Temperature range	Operating -10°C to +55°C Storage -25°C to +70°C
Pressure drop	Under 2 mbar
ATEX approval	Zone 2:  II 3 G Ex ic IIA T3.
Humidity	Max 93% RH at 40°C
Ingress protection	IP54 minimum protection level (according EN60529)
Casing	Sheet steel with grey white painting (RAL 9002)
Electronics housing	ABS
Smart Payment Protokoll	Secure Payflex Smart Card Token (complies with ISO/IEC 7816)
Battery	Lithium battery with 8 years average life time*
Display	Multi-segment LCD

* Battery life time may vary depending on usage

Dimensions and Weight

Meter Type	Size mm					Weight kg
	A	B	C	D	E	
110 mm	110	219 ±9*	67	190	169	1.9
130 mm	130	225	80	240	169	2.10

* Depending on the connection height



Connection threads*

Type	110 mm	130 mm
ISO 228-1	G 3/4" A, G 7/8" A, G 1/4" A	M26 x 1.5

* Other meter types and versions are available. Please contact us for further inquiries.

RELATED PRODUCTS

Residential diaphragm gas meter: Gallus

Two-way multi-resource prepayment system: Eclipse Enterprise Edition (3E)



Join us in creating a more **resourceful world**.
To learn more visit itron.com

While Itron strives to make the content of its marketing materials as timely and accurate as possible, Itron makes no claims, promises, or guarantees about the accuracy, completeness, or adequacy of, and expressly disclaims liability for errors and omissions in, such materials. No warranty of any kind, implied, expressed, or statutory, including but not limited to the warranties of non-infringement of third party rights, title, merchantability, and fitness for a particular purpose, is given with respect to the content of these marketing materials. © Copyright 2015 Itron. All rights reserved. **GA-GALLUSIVPSC-03-EN-01-15**

ITRON GMBH

Hardeckstraße 2
D-76185 Karlsruhe
Germany

Tel: +49 721 5981-0
Fax: +49 721 5981-189