

SRV 803

Safety Relief Valve

The SRV 803 relief valve is installed downstream of pressure regulators to relieve limited volumes of gas. Used where venting to the atmosphere is acceptable, it provides a cost-effective solution to prevent safety shut-off valves from triggering in case of creep leaks from regulators. This valve is ideal for medium pressure settings and offers a wide setting range and robust performance.

KEY BENEFITS

- » Compact design
- » Accurate operation
- » High flow capacity
- » Easy maintenance
- » Reliable
- » Tight shut-off

DESCRIPTION

The SRV 803 relief valve is a spring-loaded throttling relief valve, where a diaphragm measures the system (inlet) pressure, a spring provides the initial load to the diaphragm and establishes the relief set point, and a valve throttles the relief flow.

Technical Specifications

Maximum relief (inlet) pressure	5 bar
Relief set pressure range	0.15 - 5 bar
Operating temperature	-20°C to +60°C
Acceptable gases	Natural gas, town gas, propane, butane, air, nitrogen or any non-corrosive gas

Sizes & Connections

Sizes	DN 1"
Type	Gas female threaded

Materials

Body-Casing-Cover	Spheroidal graphite cast iron SFP 50
Valve	Nitrile Rubber
Diaphragm	Rubber, fabric reinforced
Internal Parts	Brass and Stainless Steel

Flow Capacity

Relief Set Pressure (bar)	Buildup Over Relief Pressure Setting (mbar)	Capacity at Standard Conditions (m ³ /h)
0.8	80	38
0.8	160	96
1.5	150	48
1.5	300	125

Standard conditions:

- Absolute pressure of 1.013 bar
 - Temperature of 15°C
- The flow rates are indicated for a 0.6 specific gravity gas

SRV Spring Selection Tables - DN 1"

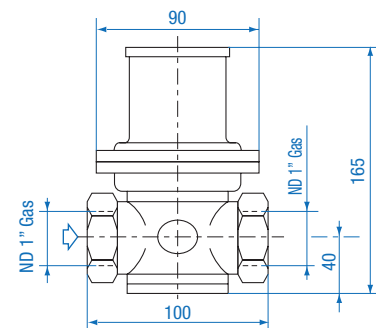
SRV	Spring Code	Spring Characteristic				Wu (bar)	Maximum Available Relief (inlet) Pressure bar
		d	De	Lo	Lt		
803	20565125	2.5	35	50	6	0.15 ÷ 0.25	2.50
	20565126	3	35	50	6	0.20 ÷ 0.68	2.50
	20565127	3.5	35	50	6	0.20 ÷ 0.85	2.50
	20565128	4	35	50	6	0.40 ÷ 1.50	2.50
	20565129	4.5	35	50	6	0.50 ÷ 2.30	2.50
803/TR	20565127	3.5	35	50	6	0.40 ÷ 1.30	5.00
	20565128	4	35	50	6	0.80 ÷ 2.20	5.00
	20565129	4.5	35	50	6	1.80 ÷ 2.30	5.00
	20565131	5	35	60	6.5	2.50 ÷ 5.00	5.00

Note: Accuracy at the initial leak point, at which the relief valve begins to discharge, is in the range of ± 5% of the setting.

Spring characteristics:

- d: wire diameter
- Lo: height
- De: external diameter
- Lt: no. of spires

Overall Dimensions (mm)



Type SRV 803/803/TR / Weight 2.2 kg

Information to be specified when ordering:

- » Model
- » Inlet pressure
- » Relief pressure range
- » Connection type
- » Maximum flow rate
- » Kind of gas
- » Quantity required



Our company is the world's leading provider of smart metering, data collection and utility software systems, with over 8,000 utilities worldwide relying on our technology to optimize the delivery and use of energy and water.

To realize your smarter energy and water future, start here: www.itron.com

For more information, contact your local sales representative or agency:

ITRON GmbH

Hardeckstraße 2
D-76185 Karlsruhe
Germany

Phone: +49-721 5981 0

Fax: +49-721 5981 189