



SSV 8200

SSV 8300

Safety Shut-off Valve

The safety shut-off valve is designed for use in gas distribution and pressure regulation systems. The device protects the downstream pipe against over-pressure or low-pressure failure by automatically stopping the flow.

KEY BENEFITS

- » Accurate operation
- » Compact design
- » Easy maintenance

DESCRIPTION

The 8200 - 8300 series is a direct-acting safety shut-off valve, operated by a loading spring and a diaphragm control unit. It is fitted with an external manual reset.

Technical Features

Inlet pressure range	up to 10 bar
Over-pressure shut-off range	28 mbar to 5.6 bar
Under-pressure shut-off range	5 mbar to 2.7 bar
Accuracy class	AG 5 to AG 30
Operating temperature	-20°C to +60°C
Acceptable gases	Natural gas, propane, butane, air, nitrogen and all non-corrosive gases.

Sizes & Connections

Sizes	Rp 1
Type	Internal thread ISO 7-1

Materials

Body	Spheroidal graphite iron ISO 1083
Cover	Die cast aluminium
Internal parts	Stainless steel and brass

SPRING SELECTION TABLES

SSV 8200/8300

Ø 120 mm head (low pressure)

Over-pressure Shut-off springs

Spring Code	Spring Characteristic				Spring Range 8211 / 8212 / 8311 / 8312
	d (mm)	De (mm)	Lo (mm)	Lt	
20563022	1.5	25	35	5.5	28 - 60 mbar
20563023	1.7	25	35	5.5	40 - 100 mbar
20563014	1.9	25	35	5.5	60 - 140 mbar
20563124	2.2	25	35	5.5	130 - 260 mbar

Under-Pressure Shut-off Springs

8212 / 8312					
Spring Code	d (mm)	De (mm)	Lo (mm)	Lt	Spring Range
20560522	0.7	10	20	7	5 - 12 mbar
20560511	0.8	10	20	7	10 - 25 mbar
20560515	0.8	10	30	10	20 - 35 mbar
20560518	0.9	10	30	10	32 - 45 mbar

SSV 8300

Ø 90mm and 90/TR head (medium and high pressure)

Over-pressure Shut-off springs

Spring Code	Spring Characteristic				Spring Range	
	d (mm)	De (mm)	Lo (mm)	Lt	(Ø90) 8321-8322	(Ø90/TR) 8331-8332
20565225	2	35	50	6	0.12 - 0.20 bar	•
20565125	2.5	35	50	6	0.20 - 0.46 bar	•
20565126	3	35	50	6	0.42 - 0.90 bar	0.65 - 1.70 bar
20565127	3.5	35	50	6	0.83 - 1.84 bar	1.25 - 3.00 bar
20565128	4	35	50	6	•	2.30 - 4.20 bar
20565129	4.5	35	50	6	•	3.60 - 5.60 bar

Under-Pressure Shut-off Springs

8322						8332	
Spring Code	d (mm)	De (mm)	Lo (mm)	Lt	Spring Range	Spring Range	Spring Range
20561022	1.2	15	35	7.75	0.05 - 0.08 bar	•	•
20560815	1.3	15	35	8	0.06 - 0.10 bar	•	•
20561023	1.5	15	35	7.75	0.10 - 0.18 bar	•	•
20561024	1.8	15	35	7.5	0.15 - 0.37 bar	0.25 - 0.60 bar	•
20561121	2	15	35	7.25	0.32 - 0.75 bar	0.42 - 1.09 bar	•
20561122	2.5	15	35	7.25	•	1.08 - 2.70 bar	•

OVERALL DIMENSIONS (MM)

	A	B	C	D	E
8211/12-8311/12 (Ø 120)	130	175	55	120	40
8321/22-8331/32 (Ø 90 and Ø 90 /TR)	130	195	55	90	40

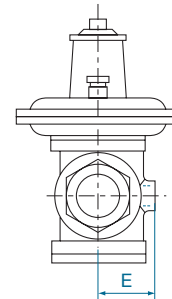
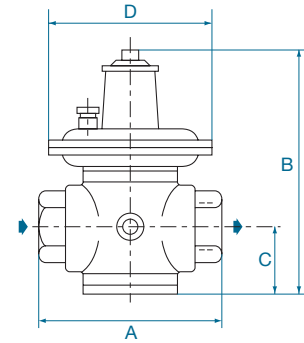
Series 8200: body length "A" is 100 mm.

Spring characteristics:

d: wire diameter Lo: height
De: external diameter Lt: no. of spires

Type Designation and Options

SSV	xx	x	x	Version
	82			13 mm orifice
	83			25 mm orifice
		1		Ø 120
		2		Ø 90
		3		Ø 90/TR
			1	OPSO
			2	OPSO + UPSO



SSV sensing line:
Rp 1/4 with compression fitting DN 10

Information to be specified when ordering:

- » Model
- » Minimum inlet pressure
- » Maximum inlet pressure
- » Maximum flow rate
- » Kind of gas
- » Quantity required
- » Calibration level for intervention of the OPSO and UPSO (if requested)



Our company is the world's leading provider of smart metering, data collection and utility software systems, with over 8,000 utilities worldwide relying on our technology to optimize the delivery and use of energy and water.

To realize your smarter energy and water future, start here: www.itron.com

For more information, contact your local sales representative or agency:

ITRON GmbH

Hardeckstraße 2
D-76185 Karlsruhe
Germany

Phone: +49 (0) 721 5981 0

Fax: +49 (0) 721 5981 189